

KB Name	Penta-band cellular articulated antenna		
Type	KB		
Since revision	N.A.		
KB Number	KB-0062-0	Build	10
Mod date	6. Jun. 2014		

## Knowledge Base Information

# Penta-band cellular articulated antenna

## 1 Antenna description

This 800 MHz to 2200MHz penta-band cellular articulated SMA antenna is a high efficiency, extended temperature range, monopole antenna. The rotatable articulated design enables to rotate the antenna to the best angle for an optimal cellular signal reception.

## 2 Specification

### Electrical

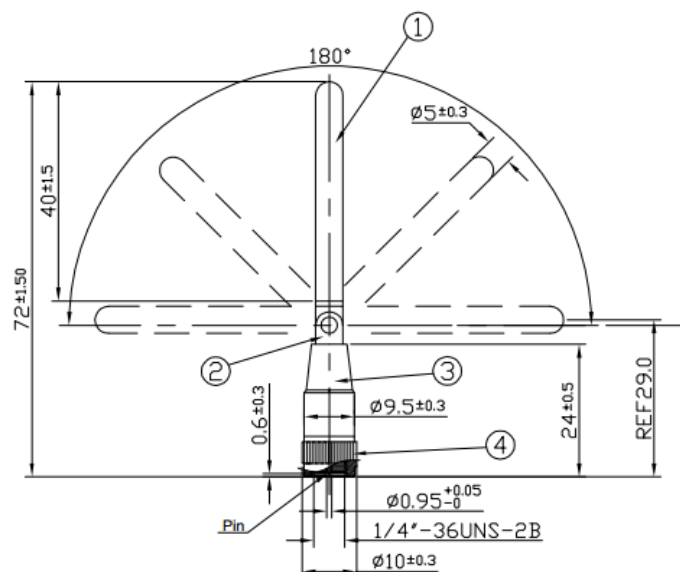
System	AMPS	GSM	DCS	PCS	UMTS
Frequency Range	824 ~ 896	880 ~ 960	1710 ~ 1880	1850 ~ 1990	1710 ~ 2170
Gain (dBi 180°)	2,0	2,0	-1,0	-0,4	-0,1
Impedance	50Ω				
Polarization	Linear				
Radiation	Omnidirectional				
Input Power	10 W				

### Environmental

Operating temp.	-40°C to 85°C
Storage temp.	-40°C to 105°C
Humidity	Non-condensing 65°C 95% RH

### Mechanical

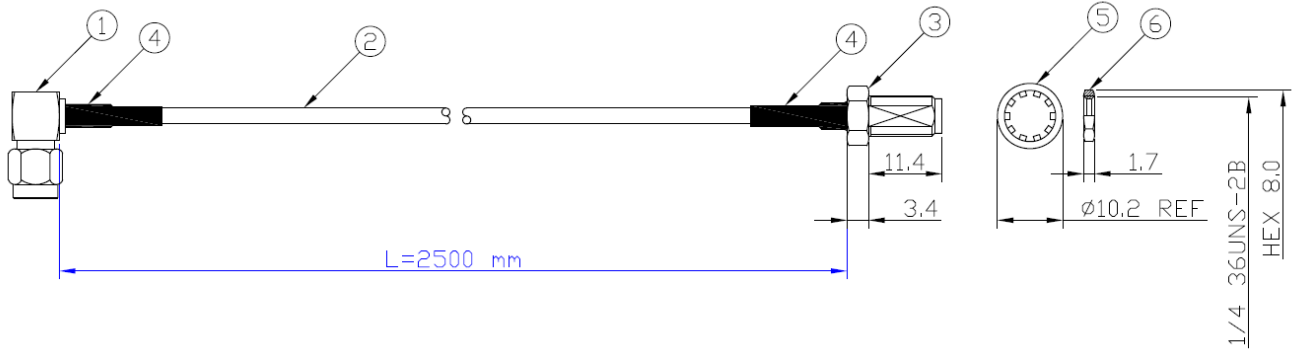
Casing (1 & 3)	POM Black (
Hinge (2)	Brass Ni Palted
Connector (4)	SMA Male (Brass)



<b>KB Name</b>	Penta-band cellular articulated antenna		
<b>Type</b>	KB		
<b>Since revision</b>	N.A.		
<b>KB Number</b>	KB-0062-0	<b>Build</b>	10
<b>Mod date</b>	6. Jun. 2014		

### Knowledge Base Information

## 3 Optional 2.5m Extension Cable



1	SMA right angle Plug (gold)
2	RG174-MIT coaxial cable (Black)
3	SMA bulkhead jack (Gold)
4	Heatshrink (Black)
5	Washer
6	Nut

## 4 Partnumbers

Item	eWON Partnumber	Manufacturer	Manufacturer P/N
Antenna only	FAC90501-0000	Taoglas	TG.09.0113
Antenna + cable	FAC90501-0100	Taoglas (Antenna) + extension cable	TG.09.0113