

How to use a second eWON as router

Introduction

In some rare cases, the IP range of a company network served on the WAN port of an eWON might be the same as the LAN IP range of the eWON.

In this situation, an IP conflict will appear because both WAN & LAN of the eWON are in the same subnet. The workaround would be to add a router between the company's network and the WAN of the eWON.

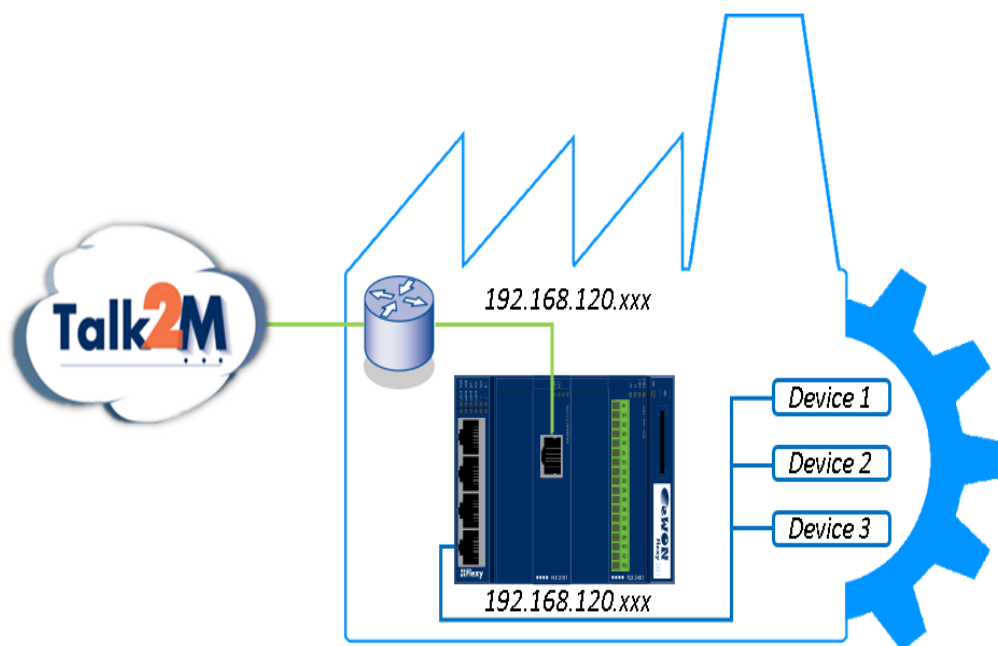
But in this scenario, it's also possible to use a second eWON to play the role of the router.

Case situation

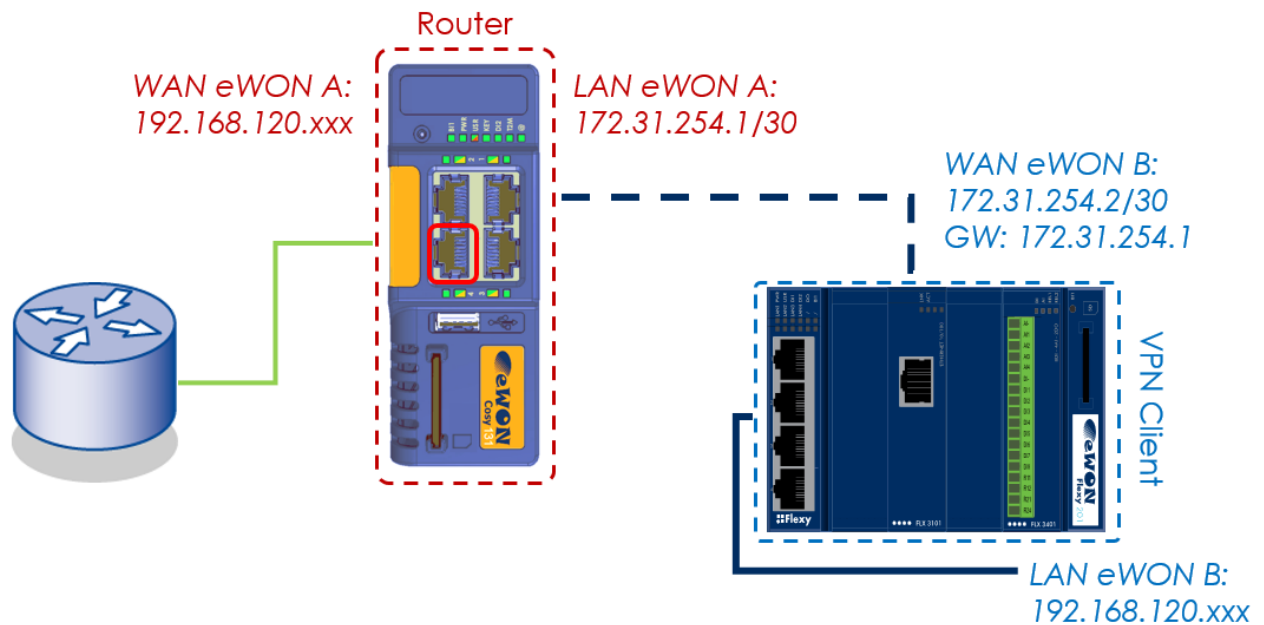
We have an eWON configured on a network (WAN side) on the range: 192.168.120.xxx

This eWON is also configured to interact with devices on a network (LAN side) on the same range: 192.168.120.xxx

Another obligation is that in this particular case, networks cannot be reconfigured.



To allow this kind of configuration to coexist we will use an extra eWON. We will also create a third network between the two eWONS:



eWON A	Configuration	Note
IP WAN	192.168.120.xxx	DHCP or given by the company
Subnet Mask WAN	(given by company LAN)	DHCP or given by the company
IP LAN	172.31.254.1	Fixed IP
Subnet Mask LAN	255.255.255.252	Restricted subnet mask
Gateway	(company)	DHCP or given by the company
DNS	(company)	DHCP or given by the company

eWON B	Configuration	Note
IP WAN	172.31.254.2	Fixed IP
Subnet Mask WAN	255.255.255.252	Restricted subnet mask
IP LAN	192.168.120.xxx	Fixed IP (identical to company IP Network range)
Subnet Mask LAN	255.255.255.0	Can be restricted too
Gateway	172.31.254.1	IP LAN of the eWON router
DNS	8.8.8.8	Public DNS or given by the company

- Important -

To allow external access, the minimum required would be with the following parameters in the eWON A:

WANPermCnx:1
FwrToWAN:1
NatIff:2

- Note -

With the example we gave, you would need to change these parameters in eWON A:

EthIP:172.31.254.1
EthMask:255.255.255.252
UseBOOTP2:2
WANPermCnx:1
FwrToWAN:1
NatIff:2
LANWANConfig:8



Revision

Revision History

Revision Level	Date	Description
1.0	07/04/2016	Original Document

Document build number: 11

Note concerning the warranty and the rights of ownership:

The information contained in this document is subject to modification without notice. Check <http://ewon.biz/support> for the latest documents releases.

The vendor and the authors of this manual are not liable for the errors it may contain, nor for their eventual consequences.

No liability or warranty, explicit or implicit, is made concerning the quality, the accuracy and the correctness of the information contained in this document. In no case can the manufacturer's responsibility be called for direct, indirect, accidental or other damage occurring from any defect of the product or mistakes coming from this document.

The product names are mentioned in this manual for information purposes only. The trade marks and the product names or marks contained in this document are the property of their respective owners.

This document contains materials protected by the International Copyright Laws. All reproduction rights are reserved. No part of this handbook can be reproduced, transmitted or copied in any way without written consent from the manufacturer and/or the authors of this handbook.

eWON sa